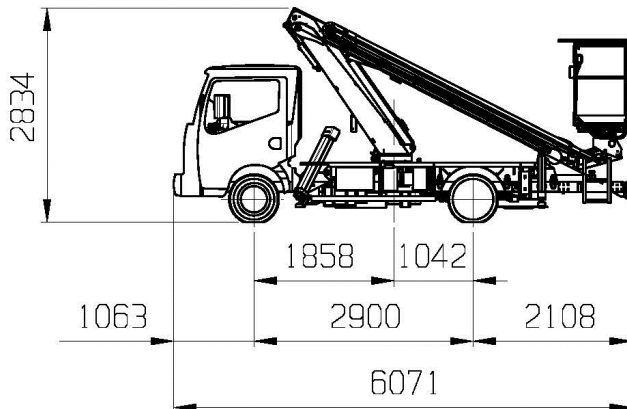
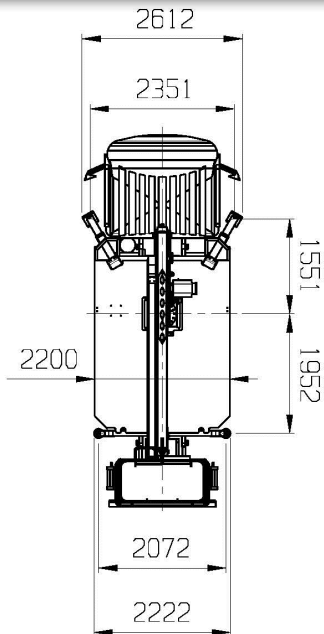




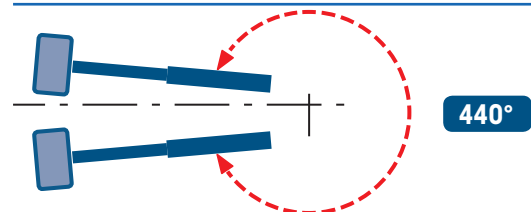
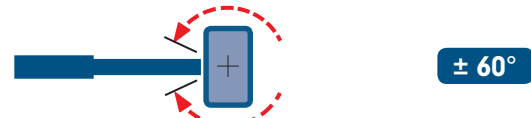
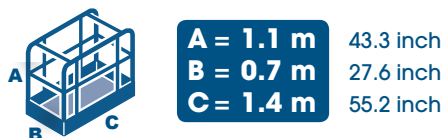
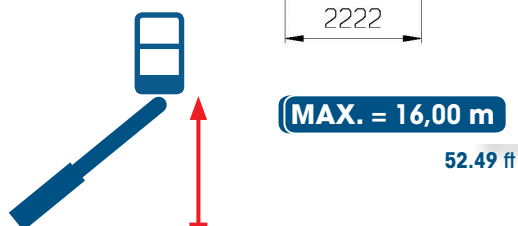
**GT 16-09**  
**AERIAL PLATFORM**



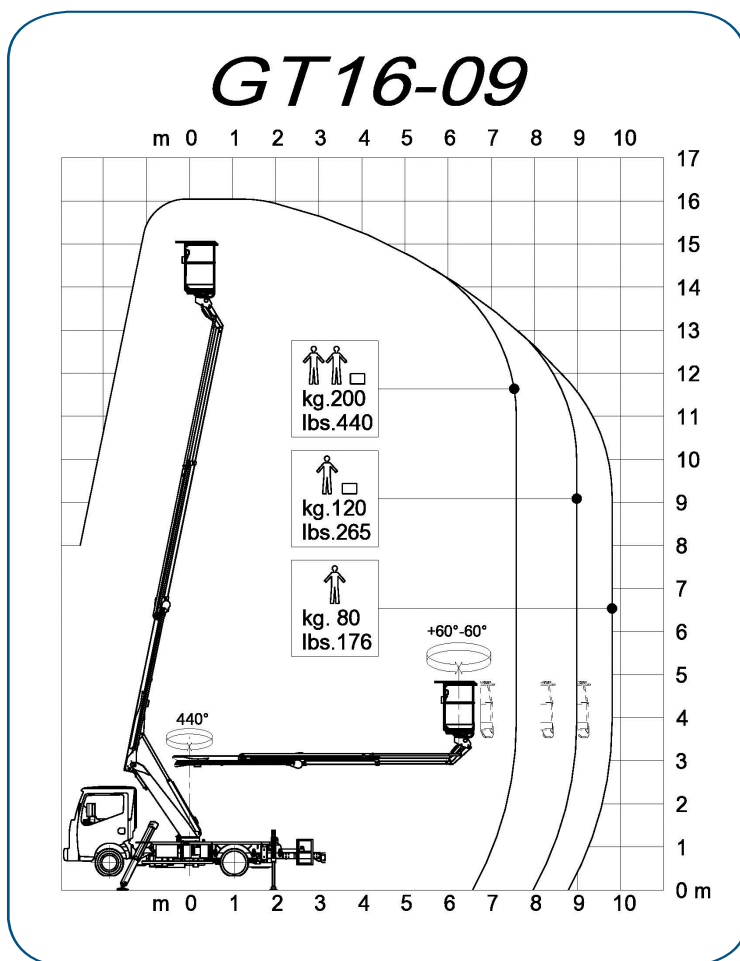
**3.5 t**  
7716 lbs



REV. 10/2015



**HYDRAULIC PROPORTIONAL**



**Manotti S.r.l.**  
Via D. Marchesi, 2/b — 42022 Boretto (RE) Italy  
Tel. +39 0522 965590 - Fax +39 0522 015169  
info@manotti.eu — sales@manotti.eu  
www.manotti.eu