



GDX24 E

AERIAL PLATFORM

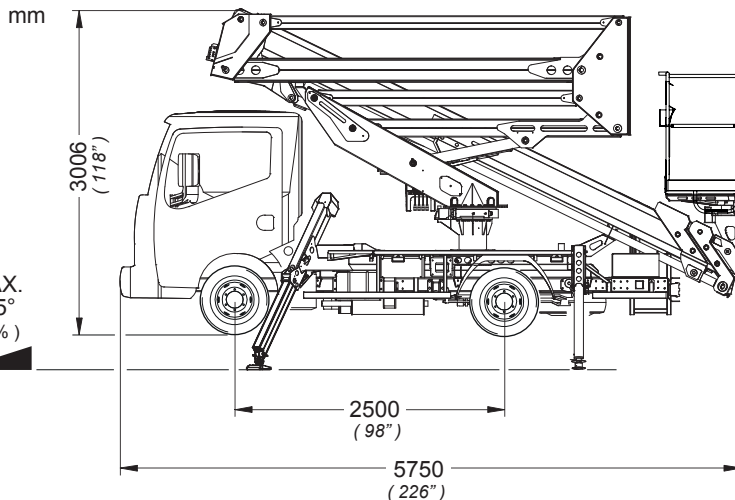
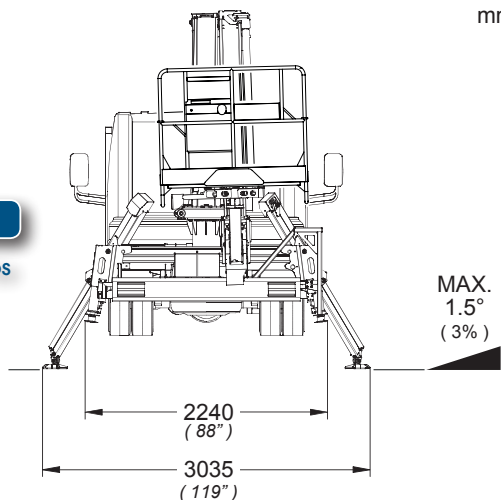


M Double Pantograph GDX24 E

REV. 10/2015

3.5 t

7716 lbs



MAX. = 24 m

78.8 ft



MAX. = 8.5 m 230 Kg

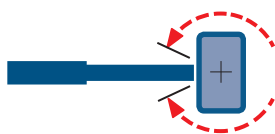
28 ft 507 lbs

MAX. = 10 m 120kg

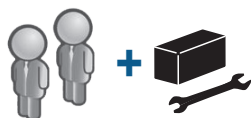
33 ft 265 lbs



A = 1.1 m 43.3 inch
B = 0.7 m 27.6 inch
C = 1.4 m 55.2 inch

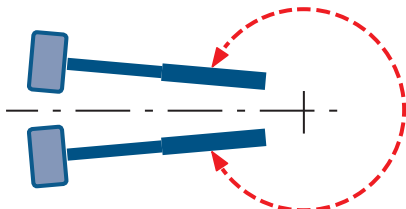


± 65°

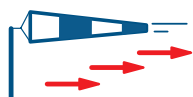


MAX. = 230 kg

507 lbs

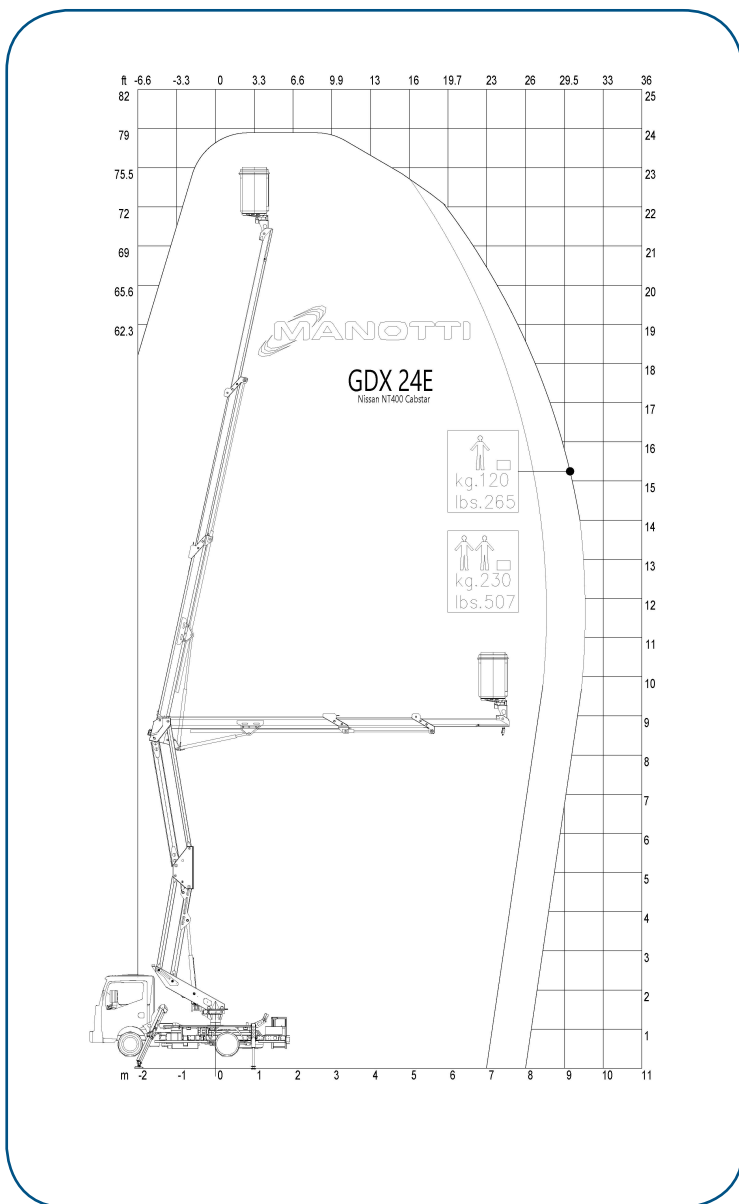


350°



MAX. = 12.5 m/s

27.9 mph



ELECTRO HYDRAULIC PROPORTIONAL

Manotti S.r.l.
 Via D. Marchesi, 2/b — 42022 Boretto (RE) Italy
 Tel. +39 0522 965590 – Fax +39 0522 015169
 info@manotti.eu — sales@manotti.eu
 www.manotti.eu

GDX24 E

AERIAL PLATFORM