

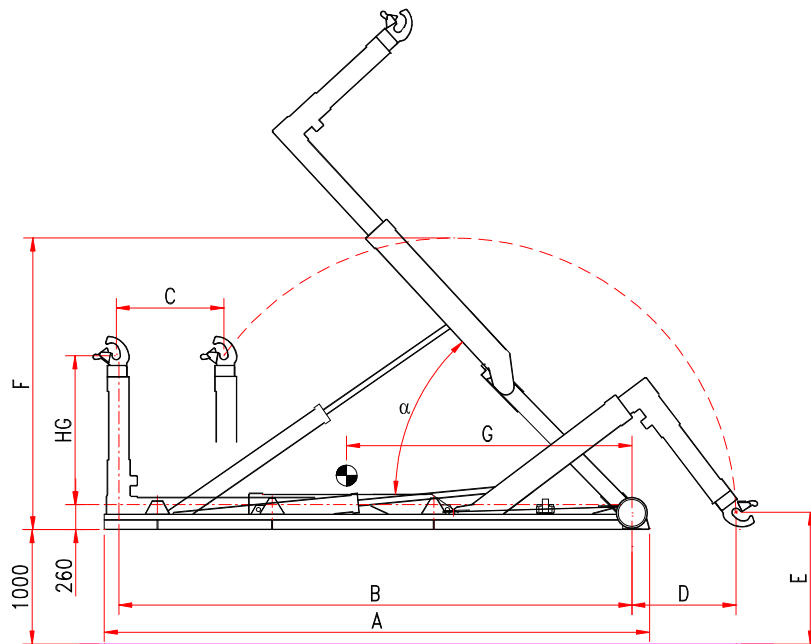


b.o.b. Sistemi Idraulici S.p.A.

unilift[®]

COMPANY WITH QUALITY MANAGEMENT
SYSTEM CERTIFIED BY DNV
= **ISO 9001:2008** =

HOOKLIFT « TL 20 »



Model	HG	A	B	C	D	E	F	G	Weight kit	α	Container	min – max
TL 20 C	1.425/1.570	5.985	5.730	1.300	1.480	1.220	3.290	3.200	2.950 kg	54°		4.800 6.800
TL 20 NC	1.425/1.570	6.185	5.930	1.300	1.280	1.220	3.290	3.350	3.000 kg	51°	5.000 7.000	
TL 20 N	1.425/1.570	6.385	6.130	1.300	1.080	1.220	3.290	3.500	3.050 kg	48°	5.200 7.200	
TL 20 NL	1.425/1.570	6.585	6.330	1.300	880	1.220	3.290	3.650	3.100 kg	46°	5.400 7.400	
TL 20 L	1.425/1.570	6.785	6.530	1.300	680	1.220	3.290	3.800	3.150 kg	44°	5.600 7.600	

The technical details shown in this sheet are indicative and can be changed by the builder without prior notice.

B.O.B. Sistemi Idraulici S.p.A. – Regione Oltre Rea, 61 – 12060 Monchiero (CN) - Italia
P. I.V.A. 00496180043 - Tel.: +39 (0173) 780002/3 – Fax: +39 (0173) 780004
Internet: www.bobspa.com - E-mail: info@bobitalev.com