

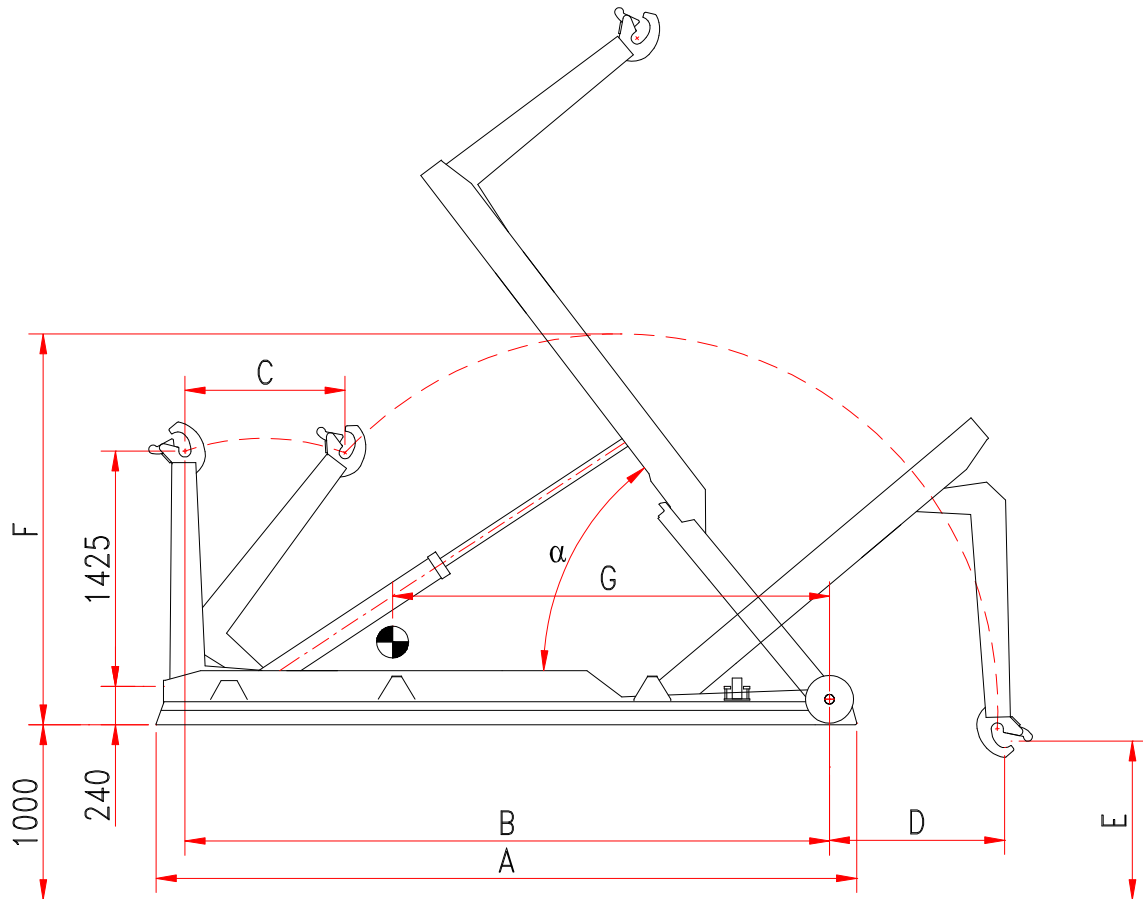


b.o.b. Sistemi Idraulici S.p.A.

unilift[®]

COMPANY WITH QUALITY MANAGEMENT
SYSTEM CERTIFIED BY DNV
= **ISO 9001:2008** =

HOOKLIFT « A 10 »



Model	A	B	C	D	E	F	G	Weight kit	α	Container	min - max
A 10 C	4.200	3.850	1.000	1.300	990	2.450	2.200	1.580 kg	58°		4.000 - 4.400
A 10 N	4.400	4.050	1.000	1.100	990	2.450	2.250	1.600 kg	53°		4.200 - 4.600
A 10 NL	4.600	4.250	1.000	900	990	2.450	2.300	1.630 kg	49°		4.400 - 4.800
A 10 L	4.800	4.450	1.000	700	990	2.450	2.350	1.650 kg	45°	4.600 - 5.000	

The technical details shown in this sheet are indicative and can be changed by the builder without prior notice.

B.O.B. Sistemi Idraulici S.p.A. – Regione Oltre Rea, 61 – 12060 Monchiero (CN) - Italia
P. I.V.A. 00496180043 - Tel.: +39 (0173) 780002/3 – Fax: +39 (0173) 780004
Internet: www.bobspa.com - E-mail: info@bobitalev.com